

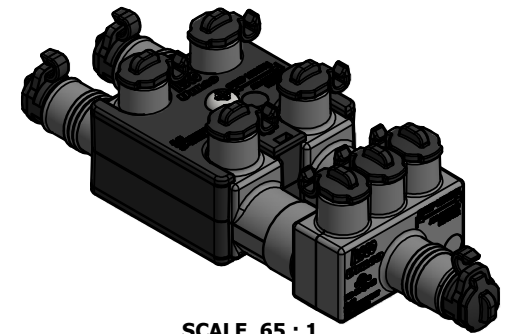
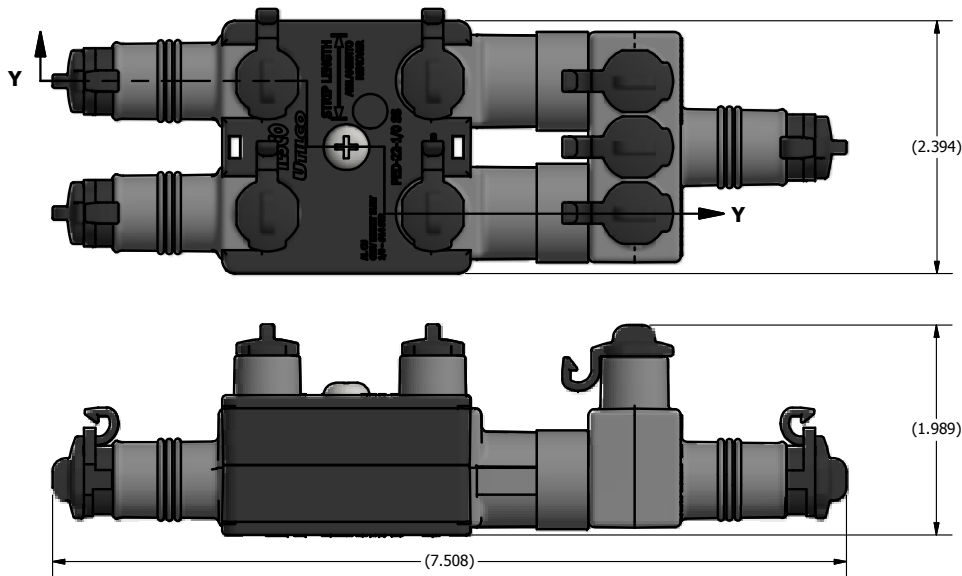
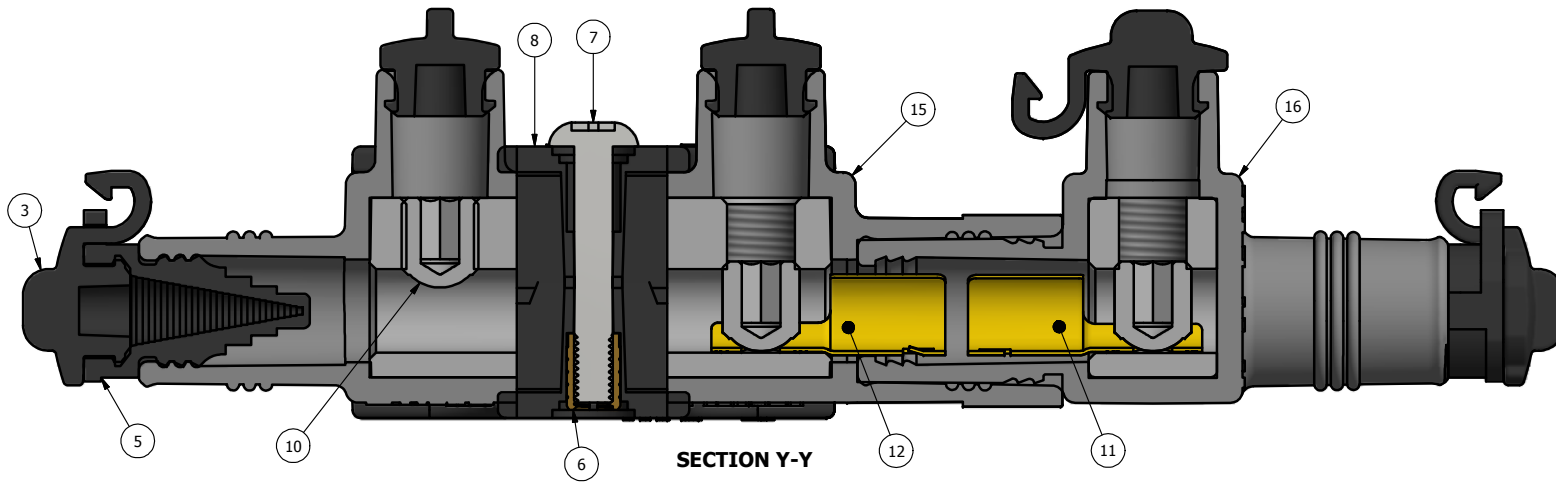
SCREW: E1376
 CAT. NO.: SEE CHART
 INFORMATION SHEET: FORM 230

MATERIAL: MULTIPLE
 PLATING: SEE PART
 MARKING: SEE BELOW

REV: D
 DRAWN BY: DFR
 DATE: 1/18/2016
 SCALE: 1.5 : 1
 SIZE: B



DWG NO: M8003
 SHEET: 1 OF 1



SCALE .65 : 1

QTY	QTY	NO.	PART NUMBER	DESCRIPTION
1	1	16	M8001B03W	BODY, SUB ASSEMBLY
2	2	15	M8000B22W	BODY SUB, ASSEMBLY
2	2	12	R7195C01T	FUSE CLIP RETAINER
2	2	11	R7195C00T	FUSE CLIP WITHOUT RETAINER
7	7	10	E1376C00T	AL SCREW 3/8-24 UNF 2A- EL-TIN
2	2	8	R7191C00A	BODY COVER
1	1	7	E6147C00Z	10-32 X 1.250 UNF-2A SCREW
1	1	6	R7193C00A	PRESS-FIT, INSERT
3	3	5	R7189C00A	WIRE SEAL
10	10	3	R7188C00A	PLUG, WIRE SEAL
SLSS12-1/0SSP-Z	SLSS12-1/0SS-Z	CATALOG #		

THE INFORMATION CONTAINED WITHIN THIS DOCUMENT IS PROPRIETARY TO ILSCO AND MAY NOT BE DISCLOSED WITHOUT PRIOR WRITTEN CONSENT